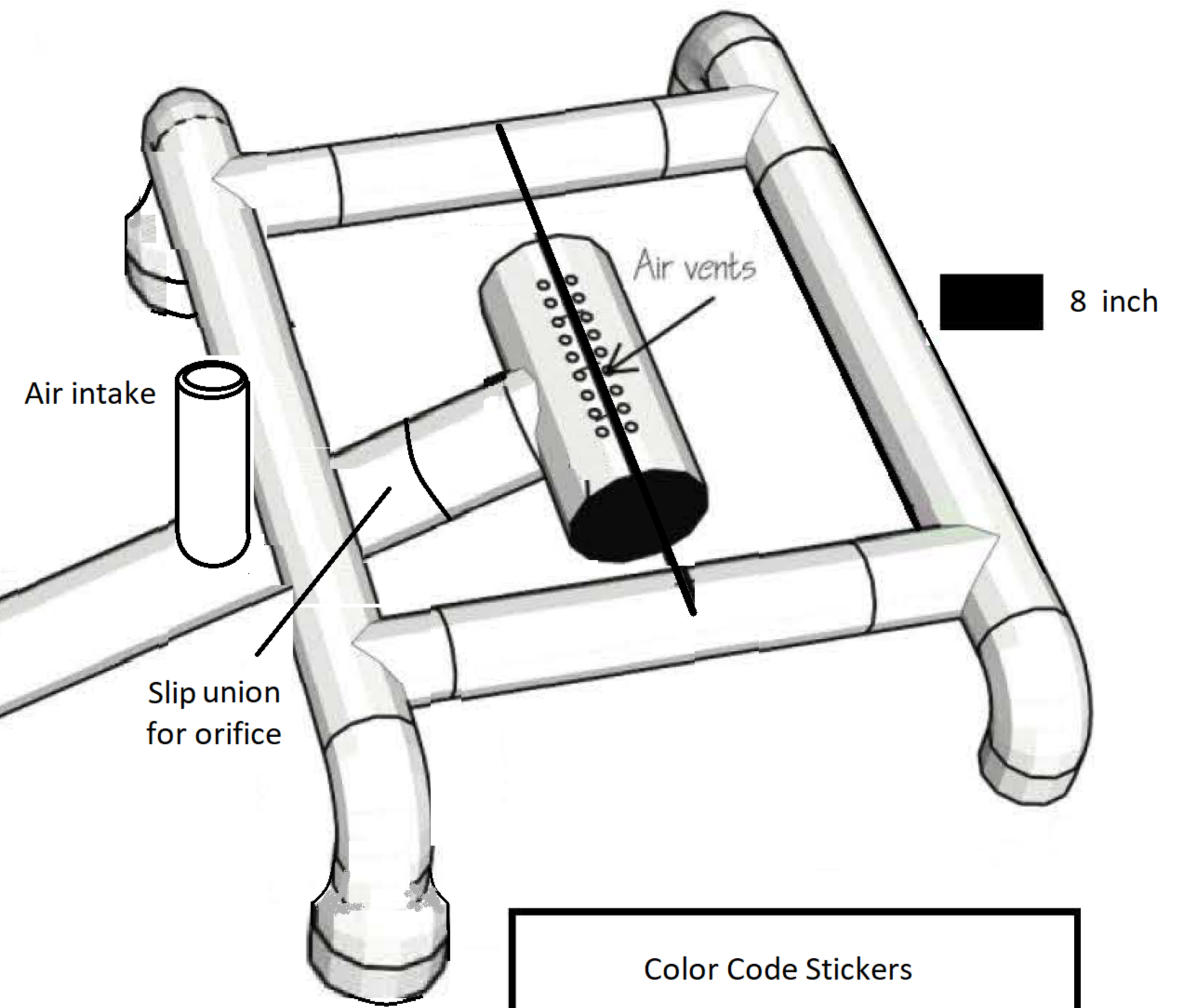
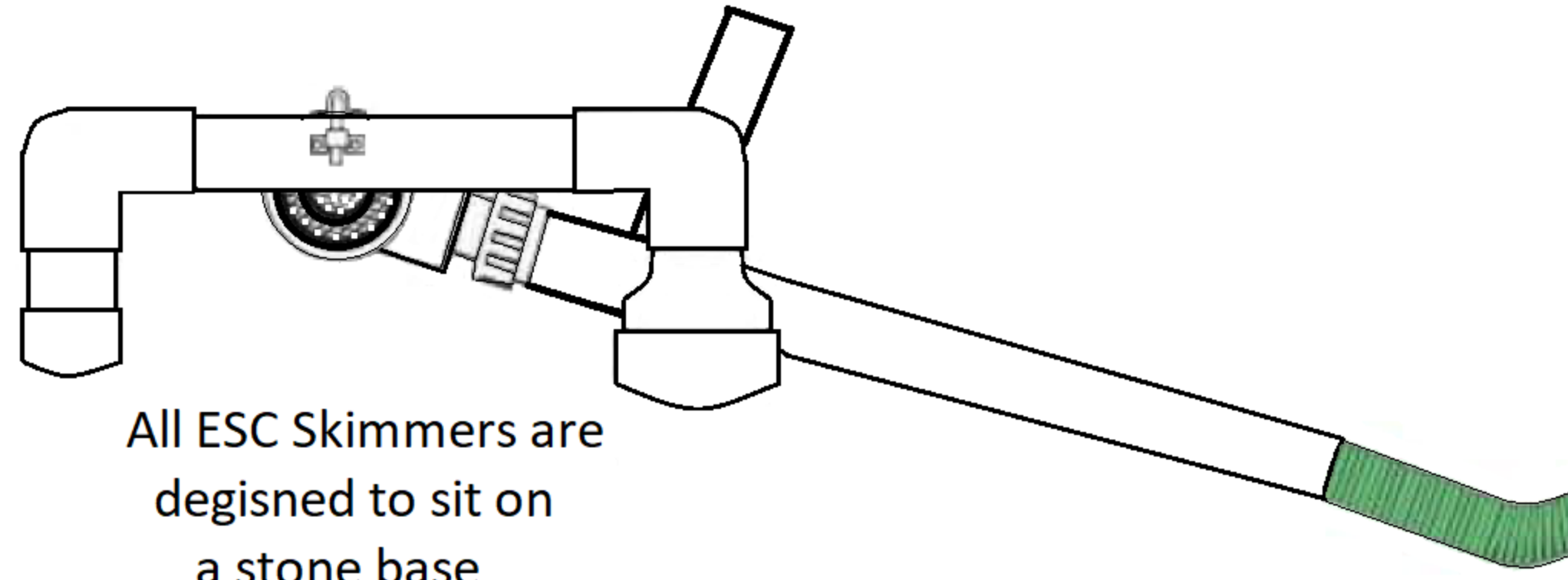


1. 6 feet of Solid barrel pipe included.
2. Threaded union for orifice installation.
3. Flex hose provided with customer specified outlet size.
4. Orifice included as specified by customer.
5. Drains and vents fully enclose dby frame.
6. Shipped assembled. Customer attached barrel pipe, then to structure.

8 inch ESC Skimmer / Sediment Pond Surface Drain









NTS TYPICAL

Side View
NTS TYPICAL



8 inch solid barrel pipe included

Flex hose with threaded nipples and customer specified outlet

Color Code Stickers			
	8 inch		3 inch
	6 inch		2.5 inch
	5 inch		2 inch
	4 inch		1.5 inch